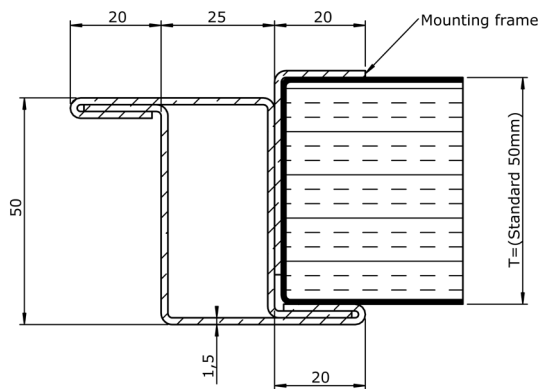


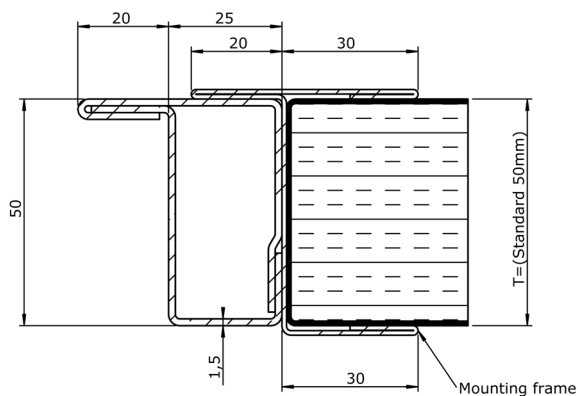
FRAME TYPES. B DOORS

T = Wall Thickness

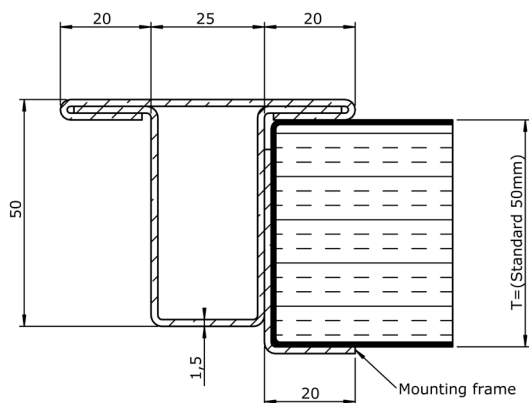
FRAME TYPES FOR STANDARD WALLS



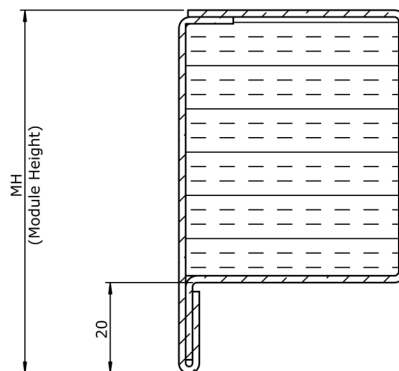
Frame Type Z: F1



Frame Type L: F2

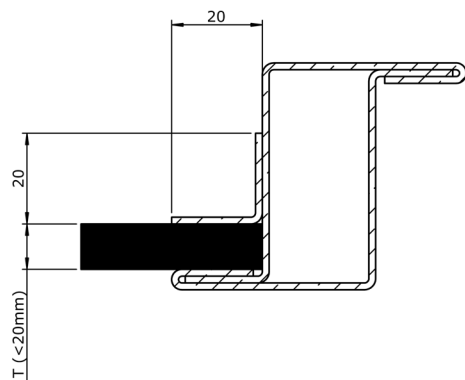


Frame Type T: F3

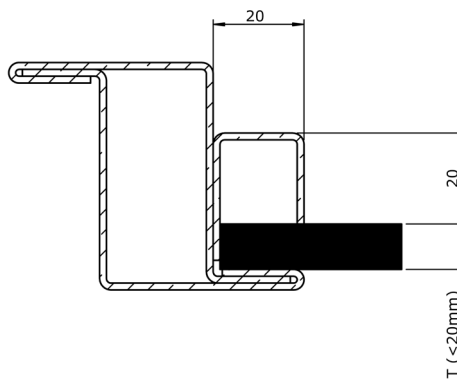


Top module for frames

MOUNTING FRAMES FOR THIN WALLS



Mounting frame Type L: M1



Mounting frame Type U: M2