

**MOMEC**

**Doors of Sweden**

**AVAILABLE  
MARINE DOORS**



<b>DOOR TYPE</b>	<b>PAGE</b>
<b>A-0</b> <b>MV4298N</b> .....	<b>3</b>
<b>A-60</b> <b>MV4360W/G</b> .....	<b>4</b>
<b>A-60</b> <b>MV4360G</b> .....	<b>5</b>
<b>A-60</b> <b>MV4361W/G</b> .....	<b>6</b>
<b>A-60</b> <b>MV4361G</b> .....	<b>7</b>
<b>A-60</b> <b>MVS A-60</b> .....	<b>8</b>
<b>B-15</b> <b>MV2255dB</b> .....	<b>9</b>
<b>B-15</b> <b>MV2255M</b> .....	<b>10</b>
<b>B-15</b> <b>MV2255V</b> .....	<b>11</b>
<b>B-15</b> <b>MV2255</b> .....	<b>12</b>
<b>B-15</b> <b>MV2255DdB</b> .....	<b>13</b>
<b>B-15</b> <b>Frame &amp; Sill Types</b> .....	<b>14 - 15</b>
<b>A-0 / A-60</b> <b>Frame &amp; Sill Types</b> .....	<b>16</b>
<b>MVS A-60</b> <b>Sill Types</b> .....	<b>17</b>

**A-0**  
**MV4298N**

**MOMEC**  
Doors of Sweden



## CHARACTERISTICS

### A0 / A15 HINGED STANDARD

**DOOR LEAF:** 1,0 mm galvanized steel with core of mineralwool (180kgs/m<sup>3</sup>)

**OPTION DOORLEAF FINISH:** Stainless steel, laminated, painted, pvc coated or offshore wet paint.

**FRAME:** 4,0 mm mild steel

**OPTION FRAME FINISH:** Stainless steel or powder epoxy coated (painted) or offshore wet paint.

**HINGES:** Three pcs of stainless steel

**STRIKERPLATE:** Stainless steel (1,0 mm)

**SILL COVERPLATE:** Stainless steel (option)(1,0 mm)

**LOCKING:** Assa Abloy, Schwepper, VingCard, Dorma.

**MAX. CERTIFIED CLEAR OPENING:** 1000 x 2050 mm (W x H)

**OPTION:** Window, Gastight

Reinforcement for holder and closer at upper and lower part of doorleaf.

**Momec AB**

Stråkenvägen 2 • SE-565 76 Bottnaryd, Sweden  
www.momec.com • info@momec.com



**A-60**  
**MV4360W/G**

**MOMEC**  
Doors of Sweden



## CHARACTERISTICS

### **A60 HINGED WEATHER- / GASTIGHT**

**DOORLEAF (62 MM):** 1,0 mm galvanized steel with core of mineralwool (250kgs/m<sup>3</sup>)

**OPTION DOORLEAF FINISH:** Stainless steel, painted or offshore wet paint.

**FRAME:** 4,0 mm mild steel (bolted or welded). Silicone gasket four sides.

**OPTION FRAME FINISH:** Stainless steel or powder epoxy coated (painted) or offshore wet paint.

**HINGES:** Three pcs of stainless steel

**STRIKERPLATE:** Stainless steel (1,0 mm). Adjustable.

**SILL COVERPLATE:** Stainless steel (option) (1,0 mm)

**LOCKING:** Assa Abloy, Schwepper, VingCard, Dorma.

**MAX. CERTIFIED CLEAR OPENING:** 1170 x 2000 mm (W x H)

**OPTION:** Window and hoseport

Reinforcement for holder and closer at upper and lower part of doorleaf.

**Momec AB**

Stråkenvägen 2 • SE-565 76 Bottnaryd, Sweden  
www.momec.com • info@momec.com

**A-60**  
**MV4360G**

**MOMEC**  
Doors of Sweden



## CHARACTERISTICS

### A60 HINGED GASTIGHT

**DOORLEAF (62 MM):** 1,0 mm galvanized steel with core of mineralwool (250kgs/m<sup>3</sup>)

**OPTION DOORLEAF FINISH:** Stainless steel, laminated, painted, pvc coated or offshore wet paint.

**FRAME:** 4,0 mm steel (bolted or welded). Silicone gasket four sides.

**OPTION FRAME FINISH:** Stainless steel or powder epoxy coated (painted) or offshore wet paint.

**HINGES:** Three pcs of stainless steel with grease nipple.

**STRIKERPLATE:** Stainless steel (1,0 mm)

**SILL COVERPLATE:** Stainless steel (option) (1,0 mm)

**LOCKING:** Assa Abloy, Schwepper, VingCard, Dorma.

**MAX. CERTIFIED CLEAR OPENING:** 1170 x 2000 mm (W x H)

**OPTION:** Window and hoseport

Reinforcement for holder and closer at upper and lower part of doorleaf.

**Momec AB**

Stråkenvägen 2 • SE-565 76 Bottnaryd, Sweden  
www.momec.com • info@momec.com

**A-60**  
**MV4361W/G**

**MOME C**  
Doors of Sweden



## CHARACTERISTICS

### **A60 DOUBLE HINGED WEATHER- / GASTIGHT**

**DOORLEAF (62 MM):** 1,0 mm galvanized steel with core of mineralwool (250kgs/m<sup>3</sup>)

**OPTION DOORLEAF FINISH:** Stainless steel, painted or offshore wet paint.

**FRAME:** 4,0 mm mild steel (bolted or welded). Silicone gasket four sides.

**OPTION FRAME FINISH:** Stainless steel or powder epoxy coated (painted) or offshore wet paint.

**HINGES:** Three pcs of stainless steel

**STRIKERPLATE:** Stainless steel (1,0 mm). Adjustable.

**SILL COVERPLATE:** Stainless steel (option) (1,0 mm)

**LOCKING:** Assa Abloy, Schwepper, VingCard, Dorma.

**MAX. CERTIFIED CLEAR OPENING:** 2300 x 2250 mm (W x H)

**OPTION:** Window

Reinforcement for holder and closer at upper and lower part of doorleaf.

**Momec AB**

Stråkenvägen 2 • SE-565 76 Bottnaryd, Sweden  
www.momec.com • info@momec.com

**A-60**  
**MV4361G**

**MOMEC**  
Doors of Sweden



## CHARACTERISTICS

### **A60 DOUBLE HINGED GASTIGHT**

**DOORLEAF (62 MM):** 1,0 mm galvanized steel with core of mineralwool (250kgs/m<sup>3</sup>)

**OPTION DOORLEAF FINISH:** Stainless steel, laminated, painted, pvc coated or offshore wet paint.

**FRAME:** 4,0 mm mild steel (bolted or welded). Silicone gasket four sides.

**OPTION FRAME FINISH:** Stainless steel or powder epoxy coated (painted) or offshore wet paint.

**HINGES:** Three pcs of stainless steel with grease nipple.

**STRIKERPLATE:** Stainless steel (1,0 mm)

**SILL COVERPLATE:** Stainless steel (option) (1,0 mm)

**LOCKING:** Assa Abloy, Schwepper, VingCard, Dorma.

**MAX. CERTIFIED CLEAR OPENING:** 2300 x 2250 mm (W x H)

**OPTION:** Window

Reinforcement for holder and closer at upper and lower part of doorleaf.

**Momec AB**

Stråkenvägen 2 • SE-565 76 Bottnaryd, Sweden  
www.momec.com • info@momec.com

**A-60**  
**MVS A-60**

**MOMEC**  
Doors of Sweden



## CHARACTERISTICS

### **A60 MANUALLY OPERATED SLIDING DOOR**

**DOORLEAF (64 MM):** 2 mm galvanized steel with core of ceramic fire insulation (96kgs/m<sup>3</sup>)

**OPTION DOORLEAF FINISH:** Stainless steel, powder epoxy coated, pvc coated or offshore wet paint.

**FRAME:** 4 mm mild steel (bolted or welded)

**OPTION FRAME FINISH:** Stainless steel, powder epoxy coated or offshore wet paint.

**SLIDING SYSTEM:** Tigra System in galvanized or stainless steel

**STRIKERPLATE:** Stainless steel (Option)

**SILL COVERPLATE:** Stainless steel (Option)

**LOCKING:** Schwepper, VingCard, Steinbach & Vollman, BKS

**MAX. CERTIFIED CLEAR OPENING:** 1878 x 1980 mm (W x H)

**OPTION:** Hoseport, electrical or pneumatic drive system.

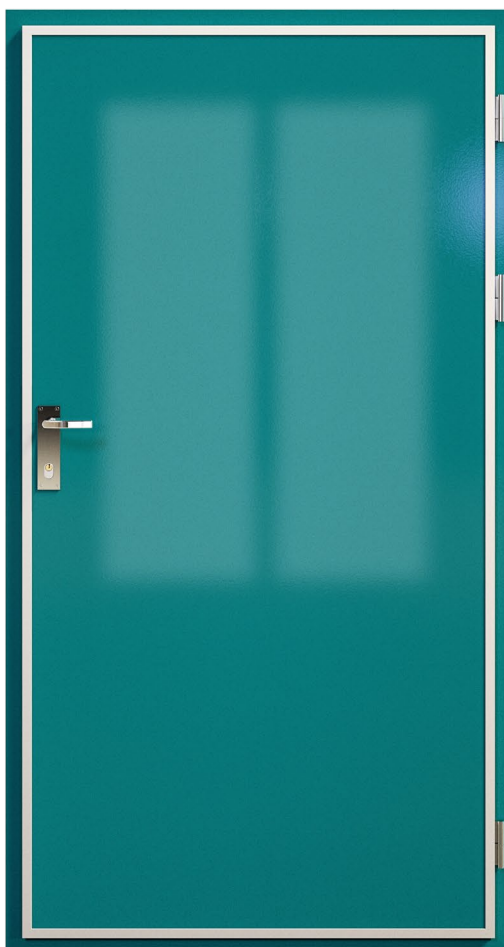
**Momec AB**

Stråkenvägen 2 • SE-565 76 Bottnaryd, Sweden  
www.momec.com • info@momec.com



**B-15**  
**MV2255dB**

**MOMECC**  
Doors of Sweden



## CHARACTERISTICS

### **B15 HIGH SOUNDREDUCTION (44dB LAB VALUE)**

**DOORLEAF (53 MM):** 1,5 mm galvanized steel with core of mineralwool (170kgs/m<sup>3</sup>)

**OPTION DOORLEAF FINISH:** Stainless steel, laminated, painted or pvc coated.

**FRAME:** 1,5 mm galvanized steel

**OPTION FRAME FINISH:** Stainless steel or powder epoxy coated (painted)

**HINGES:** Three pcs of stainless steel

**STRIKERPLATE:** Stainless steel (1,0 mm)

**SILL COVERPLATE:** Stainless steel (1,0 mm)

**LOCKING:** Assa Abloy, Schwepper, VingCard, Dorma.

**MAX. CERTIFIED CLEAR OPENING:** 1095 x 2077 mm (W x H)

**OPTION:** Window and kick-out panel

Reinforcement for holder and closer at upper and lower part of doorleaf.

### **Momec AB**

Stråkenvägen 2 • SE-565 76 Bottnaryd, Sweden  
www.momec.com • info@momec.com

**B-15**  
**MV2255M**

**MOMEC**  
Doors of Sweden



## CHARACTERISTICS

### **B15 WITH TOPMODULE (EXTENDED FRAME)**

**DOORLEAF (39 MM):** 0,7 mm galvanized steel with core of mineralwool (150kgs/m<sup>3</sup>)

**OPTION DOORLEAF FINISH:** Stainless steel, laminated, painted or pvc coated.

**FRAME:** 1,5 mm galvanized steel

**OPTION FRAME FINISH:** Stainless steel or powder epoxy coated (painted)

**HINGES:** Three pcs of stainless steel

**STRIKERPLATE:** Stainless steel (1,0 mm)

**SILL COVERPLATE:** Stainless steel (1,0 mm)

**LOCKING:** Assa Abloy, Schwepper, VingCard, Dorma.

**MAX. CERTIFIED CLEAR OPENING:** 1000 x 2000 mm (W x H)

**OPTION:** Window, ventilation grill, hoseport and kick-out panel

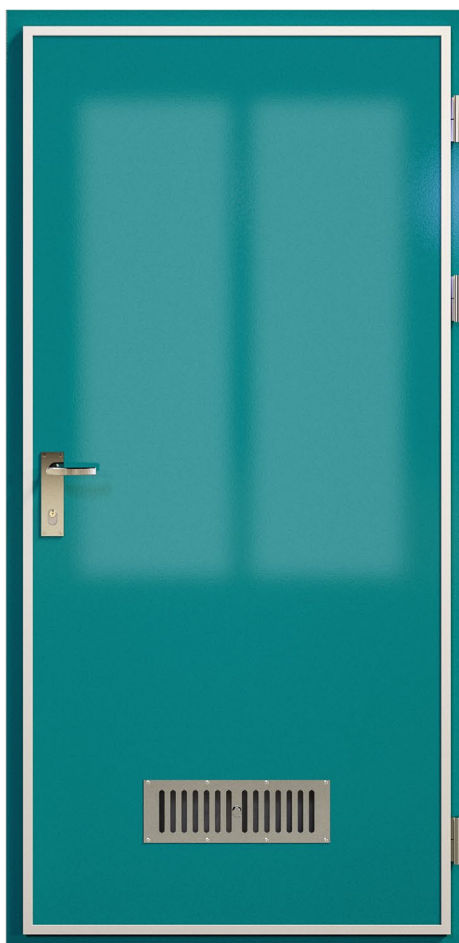
Reinforcement for holder and closer at upper and lower part of doorleaf.

### **Momec AB**

Stråkenvägen 2 • SE-565 76 Bottnaryd, Sweden  
www.momec.com • info@momec.com

**B-15**  
**MV2255V**

**MOMEC**  
Doors of Sweden



## CHARACTERISTICS

### **B15 WITH BUILT-IN VENTILATION CHANNEL (37dB SOUNDREDUCTION)**

**DOORLEAF (54 MM):** 0,7 mm galvanized steel with core of mineralwool (180kgs/m<sup>3</sup>)

**OPTION DOORLEAF FINISH:** Stainless steel, laminated, painted or pvc coated.

**FRAME:** 1,5 mm galvanized steel

**OPTION FRAME FINISH:** Stainless steel or powder epoxy coated (painted)

**HINGES:** Three pcs of stainless steel

**STRIKERPLATE:** Stainless steel (1,0 mm)

**SILL COVERPLATE:** Stainless steel (1,0 mm)

**LOCKING:** Assa Abloy, Schwepper, VingCard, Dorma.

**MAX. CERTIFIED CLEAR OPENING:** 1000 x 2100 mm (W x H)

Reinforcement for holder and closer at upper and lower part of doorleaf.

**Momec AB**

Stråkenvägen 2 • SE-565 76 Bottnaryd, Sweden  
www.momec.com • info@momec.com

**B-15**  
**MV2255**

**MOMEC**  
Doors of Sweden



## CHARACTERISTICS

### **B15 STANDARD**

**DOORLEAF:** 0,7 mm galvanized steel with core of mineralwool (150kgs/m<sup>3</sup>)

**OPTION DOORLEAF FINISH:** Stainless steel, laminated, painted or pvc coated.

**FRAME:** 1,5 mm galvanized steel

**OPTION FRAME FINISH:** Stainless steel or painted

**HINGES:** Three pcs of stainless steel

**STRIKERPLATE:** Stainless steel (1,0 mm)

**SILL COVERPLATE:** Stainless steel (1,0 mm)

**LOCKING:** Assa Abloy, Schwepper, VingCard, Dorma.

**MAX. CERTIFIED CLEAR OPENING:** 1000 x 2000 mm (W x H)

**OPTION:** Kick-out panel, window, ventilation grill, hoseport etc.

Reinforcement for holder and closer at upper and lower part of doorleaf.

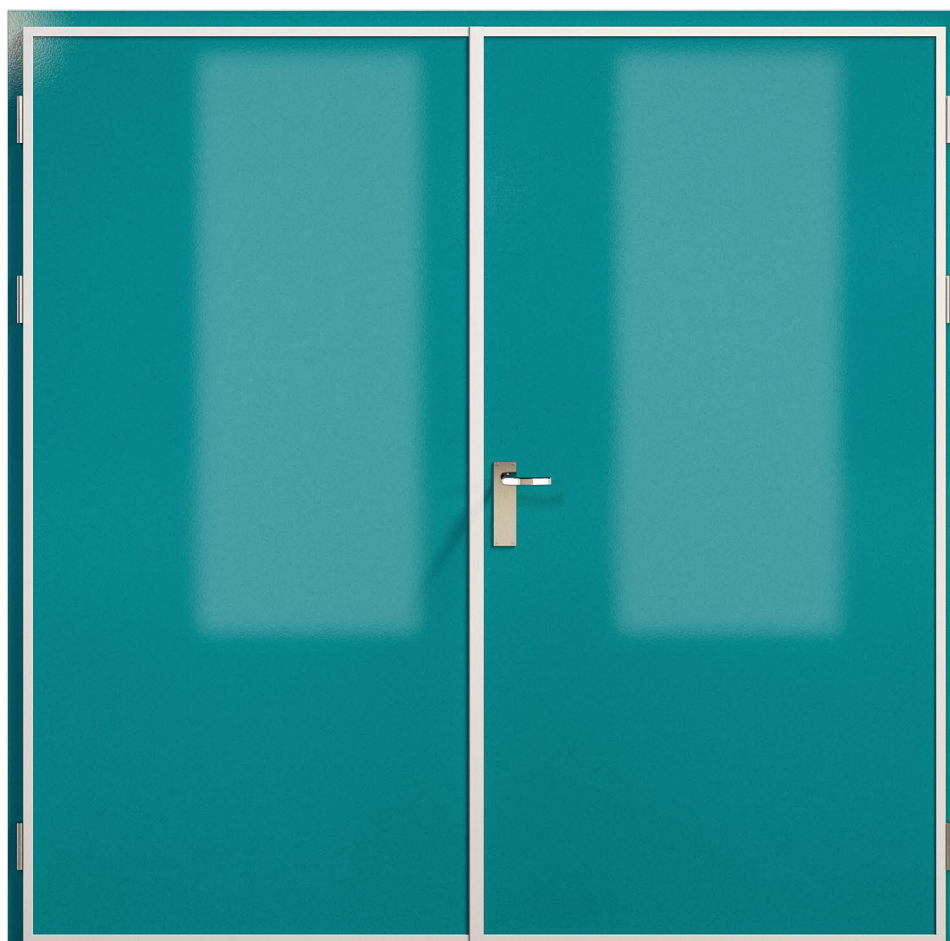
### **Momec AB**

Stråkenvägen 2 • SE-565 76 Bottnaryd, Sweden  
www.momec.com • info@momec.com



**B-15**  
**MV2255DdB**

**MOME C**  
Doors of Sweden



## CHARACTERISTICS

### **B15 DOUBLE HIGH SOUNDREDUCTION (44dB LAB VALUE)**

**DOORLEAF (53 MM):** 1,5 mm galvanized steel with core of mineralwool (170kgs/m<sup>3</sup>)

**OPTION DOORLEAF FINISH:** Stainless steel, laminated, painted or pvc coated.

**FRAME:** 1,5 mm galvanized steel

**OPTION FRAME FINISH:** Stainless steel or powder epoxy coated (painted)

**HINGES:** Three pcs of stainless steel

**STRIKERPLATE:** Stainless steel (1,0 mm)

**SILL COVERPLATE:** Stainless steel (1,0 mm)

**LOCKING:** Assa Abloy, Schwepper, VingCard, Dorma.

**MAX. CERTIFIED CLEAR OPENING:** 2000 x 2000 mm (W x H)

**OPTION:** Window and kick-out panel

Reinforcement for holder and closer at upper and lower part of doorleaf.

**Momec AB**

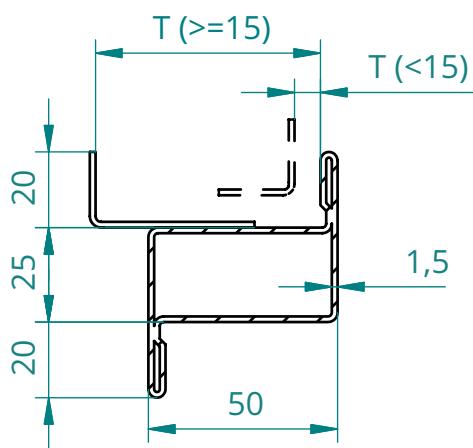
Stråkenvägen 2 • SE-565 76 Bottnaryd, Sweden  
www.momec.com • info@momec.com

## B-15 Frame Types

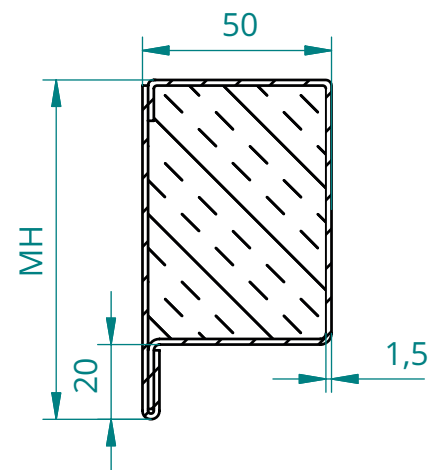
# MOMEC

Doors of Sweden

### TOPFRAME

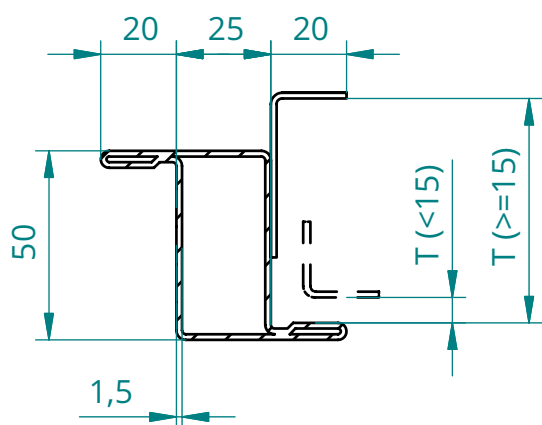


**NORMAL TOP FRAME**  
type: T1

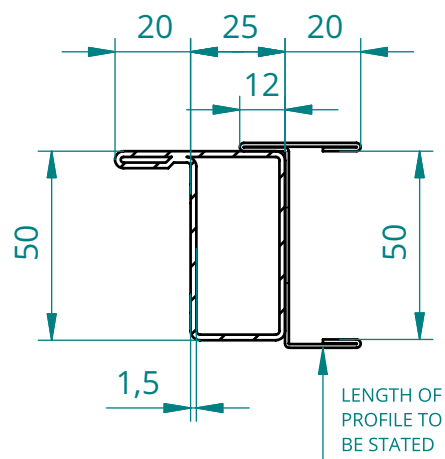


**MODULE TOP FRAME**  
type: T2

### SIDEFRAME



type: F1



type: F2

T = WALL THICKNESS

SH = SILL HEIGHT

MH = HEIGHT OF MODULE TOP FRAME

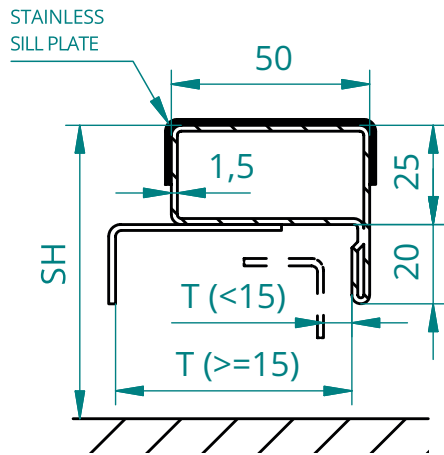
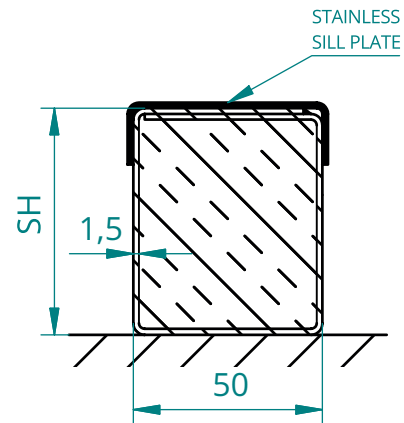
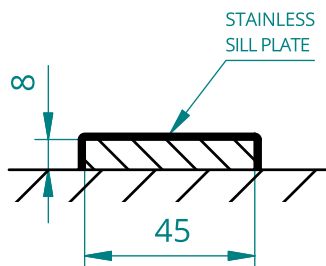
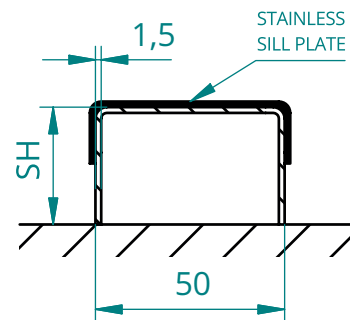
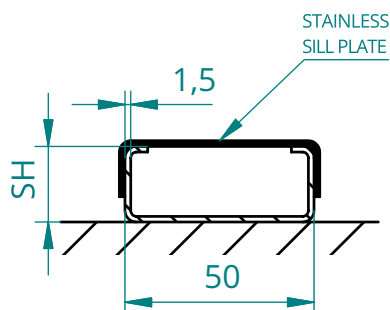
**Momec AB**

Stråkenvägen 2 • SE-565 76 Bottnaryd, Sweden  
www.momec.com • info@momec.com

## B-15 Sill Types

# MOMEC

Doors of Sweden

type: **S1**type: **S2**type: **S3**type: **S4**type: **S5**

T = WALL THICKNESS  
SH = SILL HEIGHT  
MH = HEIGHT OF MODULE TOP FRAME

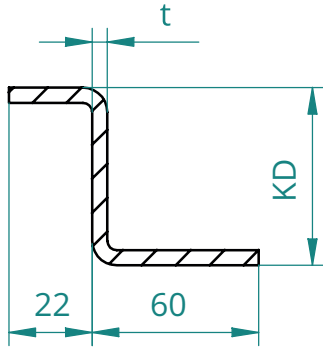
Momec AB

Stråkenvägen 2 • SE-565 76 Bottnaryd, Sweden  
www.momec.com • info@momec.com

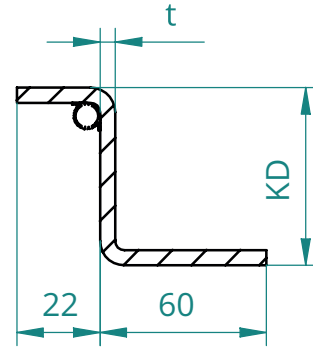
# A-0 / A-60 Frame & Sill Types

# MOMEC Doors of Sweden

## FRAME TYPES

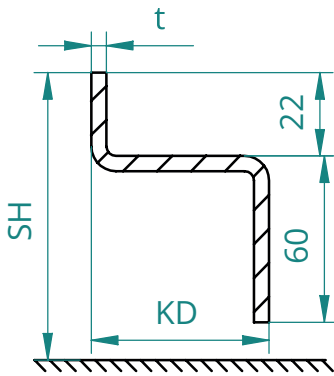


**NORMAL TOP AND SIDE FRAME**  
type: **F1**

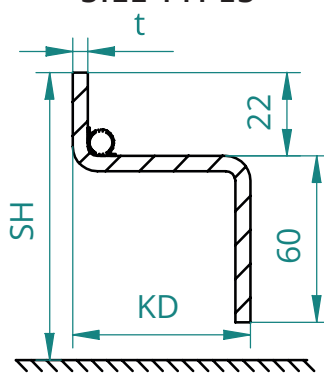


**TOP AND SIDE FRAME WITH GASKET**  
type: **F2\***

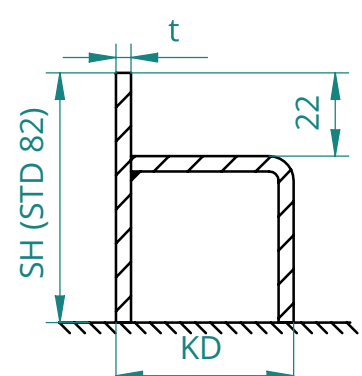
## SILL TYPES



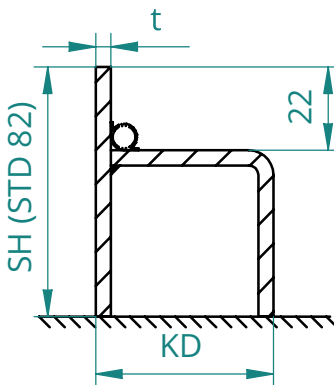
type: **S1**



type: **S2**

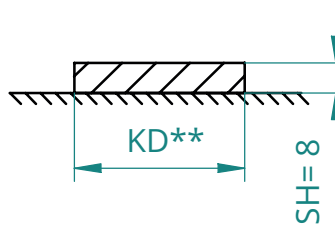


type: **S3**

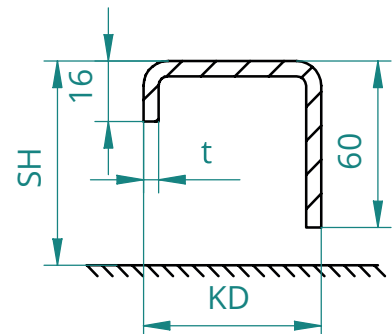


type: **S4**

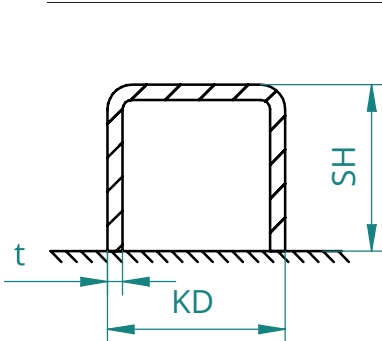
KD\*\* (MV 4298 N/G) = 45 mm  
 KD\*\* (MV 4360/4361 N/G) = 70 mm  
 KD\*\* (MV 4360/4361 W) = 60 mm



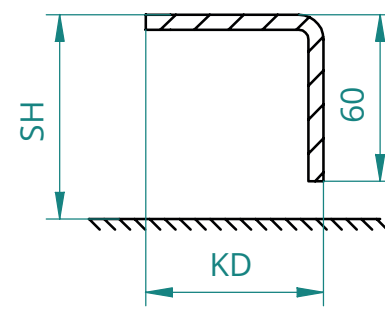
type: **S5**



type: **S6**



type: **S7**



type: **S8**

KD (MV 4298 N/G) = 49 mm  
 KD (MV 4360/4361 N/G) = 73 mm  
 KD (MV 4360/4361 W) = 63 mm

\*GASKET FOR GASTIGHT AND WEATHERTIGHT DOOR TYPES

**Momec AB**

Stråkenvägen 2 • SE-565 76 Bottnaryd, Sweden  
 www.momec.com • info@momec.com



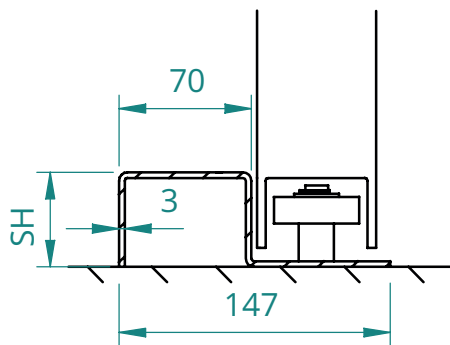
# MVS A-60

## Sill Types

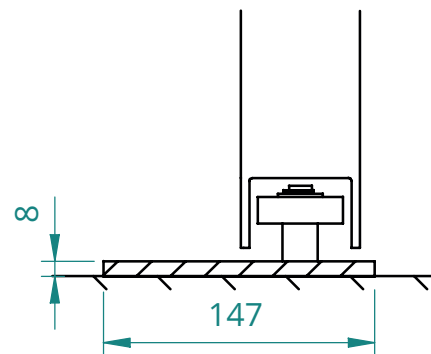
# MOMEC

Doors of Sweden

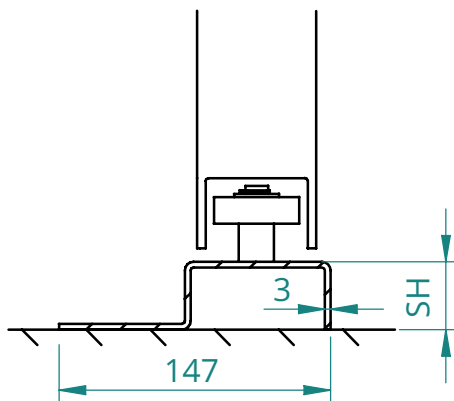
**NORMAL SILL**  
type: **S10**



**FLAT SILL**  
type: **S5**



**U SHAPED SILL**  
type: **S11**



SH = SILL HEIGHT

**Momec AB**

Stråkenvägen 2 • SE-565 76 Bottnaryd, Sweden  
www.momec.com • info@momec.com