



PRODUCT
CATALOGUE
2024

MOMECC
DOORS of SWEDEN

DOORS of SWEDEN

Momec develops and manufactures secure, certified steel doors that protect both property and people. Our idea is simply based on the fact that the reassuring feeling of security is the same. No matter who or where you are. However, the requirements and criteria may vary.

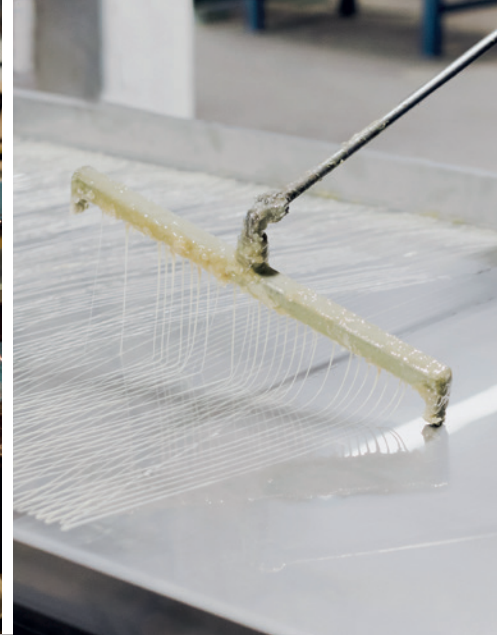
Established in 1951 as a mechanical workshop, Momec is today specializing in high quality outfitting equipment for the shipbuilding industry. Our wide range of approved A- and B-class doors are tested against weather, fire and sound, and are certified by international classification societies and authorities.

We can offer a full assortment of Marine door sets designed to customer's specification. This unique service is based upon many years of experience in supplying major clients on a worldwide basis. In close cooperation with them, we continuously develop our doors and have become known for our unique special solutions.

We are located in Bottnaryd, just outside Jönköping where all production takes place. We have been part of the Weland Group since 2021.

MOMEC
DOORS of SWEDEN





MADE in
BOTTNARYD

MOMEK



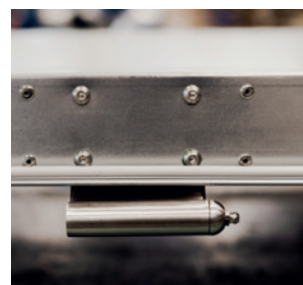


WHEN SIZE MATTERS.

CUSTOMIZED DOORS ARE OUR SPECIALTY. CUSTOMIZED SERVICE TOO.

Special sizes is just one example of adaptations we can make according to the customer's wishes. We dare to say that we are specialists when it comes to finding most types of smart sustainable solutions. Basically, we offer a wide range of standard A- and B-class doors, but it's our ability to offer smart customizations that has made us world-renowned.

Customized care of Customers - that should be given- we promise it is for us. We do our utmost to always be available and flexible, in order to optimize the service for each customer.





SINGLE DOOR. A0

Art nr: **MV4298**



FIRE RATED HINGE DOOR.

Weather- and gastight. Light duty door.

FIRE CLASS:	A0
DOOR LEAF:	Made of 1 mm steel and insulated with mineral wool. Standard is powder coating in RAL 9010.
THICKNESS DOOR LEAF:	39 mm
FRAME:	Steel 3 mm. Silicone gasket four sides.
HINGES:	Stainless steel, 3 pcs
STRIKER PLATE:	Stainless steel
MAX CLEAR OPENING:	W 1000 x H 2050 mm
NORSOK DOOR TYPE CODE:	L1/L2

SAFE PEOPLE. SECURE PROPERTY

Momec's A-rated fire doors are designed to meet high demands on function and fire safety on board ships and oil platforms. They are delivered with certificates in classes A0 and A60 and are equipped for each specific need and requirement.

The door leaf can be galvanized, primed, powder-coated, PVC-coated, laminated or in stainless steel. The frame is manufactured as a Z-profile in high-quality powder-coated Swedish steel. It can also be in stainless steel. The stainless steel hinges are welded to the frame and screwed into the door leaf. The core material is high-density mineral wool that is glued to the door panels.

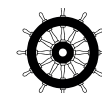
OPTIONS

- Wet paint, laminated or plastic coated.
- Cover plate made in stainless steel for the sill.
- Kick/trolley plate made in stainless steel. H 300/800 mm.
- Air- and gas tightness.
- Vision panel max W400 x H600 mm.
- Panic device
- Electric access control systems
 - Door open system
 - Hold open system
 - Door sensor



OPTION EXAMPLE
Vision Panel

Custom made doors for use in a maritime environment. Tested according to IMO 2010 FTP Code.



SINGLE DOOR. A60

Art nr: **MV4360G**

SINGLE DOOR. A60

Art nr: **MV4360WG**



FIRE RATED HINGE DOOR.

Gastight. Medium duty door.

FIRE CLASS:	A60
DOOR LEAF:	Made of 1 mm steel and insulated with mineral wool. Standard is powder coating in RAL 9010.
THICKNESS DOOR LEAF:	62 mm
FRAME:	Steel 4 mm. Silicone gasket four sides.
HINGES:	Stainless steel, 3 pcs
STRIKER PLATE:	Stainless steel
MAX CLEAR OPENING:	W 1000 x H 2100 mm
NORSOK DOOR TYPE CODE:	M1



FIRE RATED HINGE DOOR.

Weather- and gastight. Medium duty door.

FIRE CLASS:	A60
DOOR LEAF:	Made of 1 mm steel and insulated with mineral wool. Standard is powder coating in RAL 9010.
THICKNESS DOOR LEAF:	62 mm
FRAME:	Steel 4 mm. Silicone gasket four sides.
HINGES:	Stainless steel, 3 pcs
STRIKER PLATE:	Stainless steel
MAX CLEAR OPENING:	W 1000 x H 2100 mm
NORSOK DOOR TYPE CODE:	M1/M2

OPTIONS

- Wet paint, laminated or plastic coated.
- Cover plate made in stainless steel for the sill.
- Kick/trolley plate made in stainless steel. H 300/800 mm.
- Air- and gas tightness.
- Vision panel max W400 x H600 mm.
- Panic device
- Hose port
- Electric access control systems
 - Door open system
 - Hold open system
 - Door sensor



OPTION EXAMPLE
Vision Panel

OPTIONS

- Wet paint, laminated or plastic coated.
- Cover plate made in stainless steel for the sill.
- Kick/trolley plate made in stainless steel. H 300/800 mm.
- Air- and gas tightness.
- Vision panel max W400 x H600 mm.
- Panic device
- Hose port
- Electric access control systems
 - Door open system
 - Hold open system
 - Door sensor



OPTION EXAMPLE
Vision Panel



DOUBLE DOOR. A60

Art nr: **MV4361G**



FIRE RATED HINGE DOUBLE DOOR. Gastight. Medium duty door.

FIRE CLASS: A60
DOOR LEAF: Made of 1.5 mm steel and insulated with mineral wool. Standard is powder coating in RAL 9010.
THICKNESS DOOR LEAF: 62 mm
FRAME: Steel 4 mm. Silicone gasket four sides.

HINGES: Stainless steel, 3 pcs
STRIKER PLATE: Stainless steel
MAX CLEAR OPENING: W 2000 x H 2100 mm
NORSOK DOOR TYPE CODE: M1/M2

OPTIONS

- Wet paint, laminated or plastic coated.
- Cover plate made in stainless steel for the sill.
- Kick/trolley plate made in stainless steel. H 300/800 mm.
- Air and gas tightness.
- Vision panel max W400 x H600 mm.
- Panic device
- Hose port
- Electric access control systems
 - Door open system
 - Hold open system
 - Door sensor



OPTION EXAMPLE
Vision Panels. Hose port.

DOUBLE DOOR. A60

Art nr: **MV4361WG**



FIRE RATED HINGE DOUBLE DOOR. Weather- and gastight. Medium duty door.

FIRE CLASS: A60
DOOR LEAF: Made of 1.5 mm steel and insulated with mineral wool. Standard is powder coating in RAL 9010.
THICKNESS DOOR LEAF: 62 mm
FRAME: Steel 4 mm. Silicone gasket four sides.

HINGES: Stainless steel, 3 pcs
STRIKER PLATE: Stainless steel
MAX CLEAR OPENING: W 2000 x H 2100 mm
NORSOK DOOR TYPE CODE: M1/M2

OPTIONS

- Wet paint, laminated or plastic coated.
- Cover plate made in stainless steel for the sill.
- Kick/trolley plate made in stainless steel. H 300/800 mm.
- Air and gas tightness.
- Vision panel max W400 x H600 mm.
- Panic device
- Hose port
- Electric access control systems
 - Door open system
 - Hold open system
 - Door sensor



OPTION EXAMPLE
Vision Panels. Hose port.

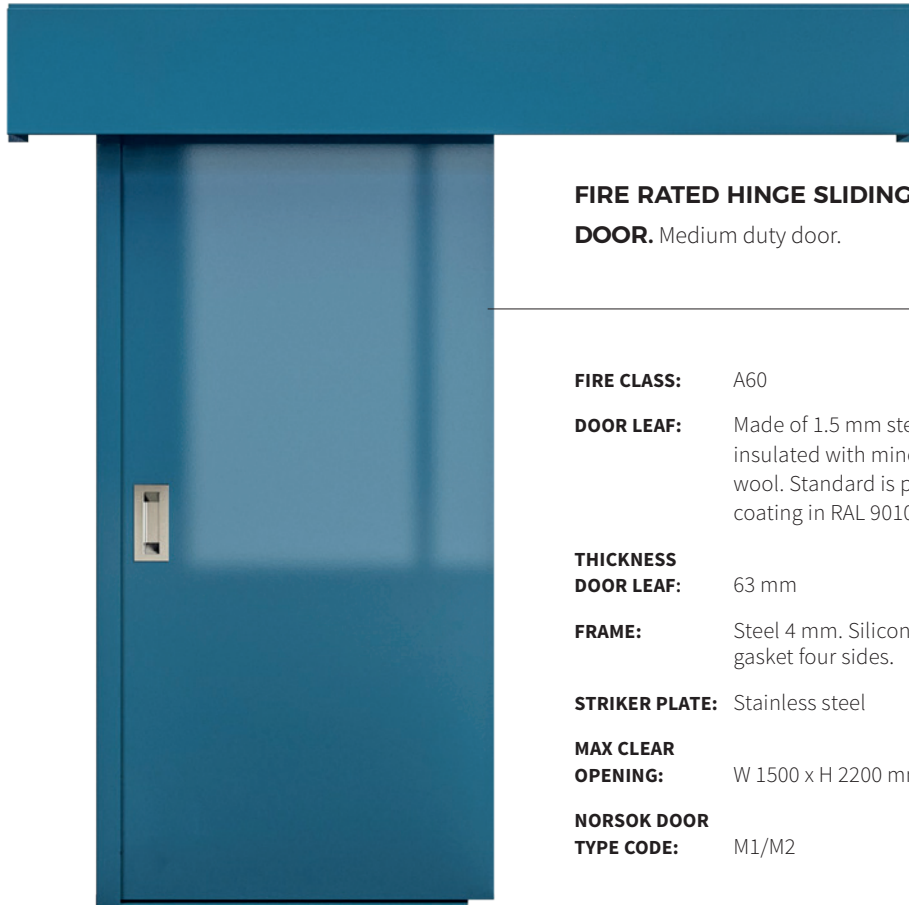


SINGLE SLIDING DOOR. A60

Art nr: **MVS A-60**

SILL TYPES. A DOORS

KD = Frame Depth
T = Material Thickness



FIRE RATED HINGE SLIDING DOOR. Medium duty door.

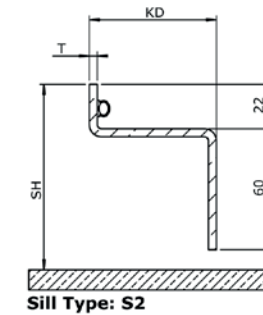
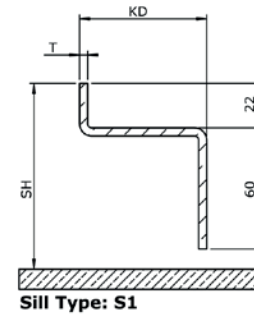
- FIRE CLASS:** A60
- DOOR LEAF:** Made of 1.5 mm steel and insulated with mineral wool. Standard is powder coating in RAL 9010.
- THICKNESS DOOR LEAF:** 63 mm
- FRAME:** Steel 4 mm. Silicone gasket four sides.
- STRIKER PLATE:** Stainless steel
- MAX CLEAR OPENING:** W 1500 x H 2200 mm
- NORSOK DOOR TYPE CODE:** M1/M2

OPTIONS

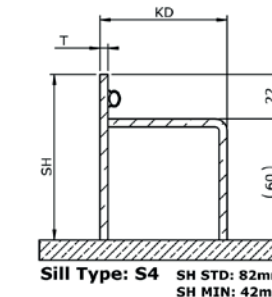
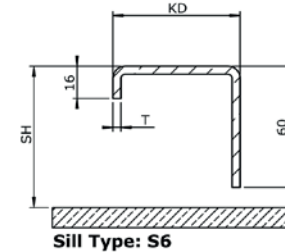
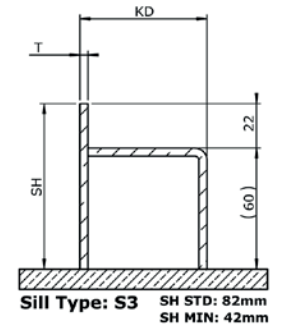
- Wet paint.
- Cover plate made in stainless steel for the sill.
- Kick/trolley plate made in stainless steel. H 300/800 mm.
- Air- and gas tightness.
- Vision panel max W400 x H600 mm.
- Hose port
- Electric access control systems
 - Door open system
 - Hold open system
 - Door sensor
- Electrical / Pneumatic drivesystem



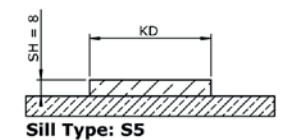
OPTION EXAMPLE
Hose port



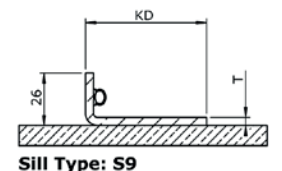
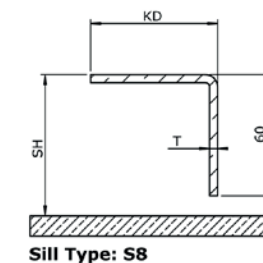
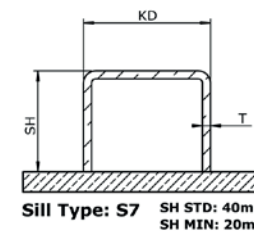
For Gas- & Weathertight doors



For Gas- & Weathertight doors



Door MV4298: KD 45 mm
Door MV4360: KD 60 mm
Door MV4361: KD 60 mm



For Gas- & Weathertight doors



Door MV4298: KD 49 mm
Door MV4360: T 3 mm



Door MV4360: KD 63 mm
Door MV4360: T 4 mm



Door MV4361: KD 63 mm
Door MV4361: T 4 mm





DOUBLE DOOR. C-RATED

Art nr: **MV2255D**



FIRE RATED HINGE DOUBLE DOOR WITH SOUNDREDUCTION. Light duty door.

FIRE CLASS: C Rated
DOOR LEAF: Made of steel and insulated with mineral wool. Standard is powder coating in RAL 9010.
THICKNESS DOOR LEAF: 53 mm
FRAME: Steel 1.5 mm

HINGES: Stainless steel, 3 pcs
STRIKER PLATE: Stainless steel
SILL COVER: Stainless steel
MAX CLEAR OPENING: unlimited
NORSOK DOOR TYPE CODE: L1/L2

WELL-DESIGNED SECURITY

Momec has a complete range of fireproof cabin doors of the highest quality. They are easy to install and fit all panel systems on the market, due to their flexible frame construction. As standard, the door leaves have a PVC-laminated or powder-coated surface on the galvanized steel sheet and are fire-, sound- and thermally insulated with high-density mineral wool. The entire door leaf has an edge strip of extruded and naturally anodized aluminium profile. The frame is made of 1.5 mm steel sheet, which is also powder-coated. The hinges are made of stainless steel. Other options are delivered as requested.

They are delivered with certificates in classes B-15 and B-30 and are equipped for each specific need and requirement.

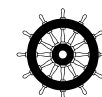
OPTIONS

- Laminated or pvc coated, stainless steel.
- Kick/trolley plate made in stainless steel. H 300/800 mm.
- Vision panel
- Panic device
- Kick out panel
- Electric access control systems
 - Door open system
 - Hold open system
 - Door sensor



OPTION EXAMPLE
Vision Panels

Custom made doors for use in a maritime environment. Tested according to IMO 2010 FTP Code.



SINGLE DOOR. B15

Art nr: **MV2255**

SINGLE DOOR. B15

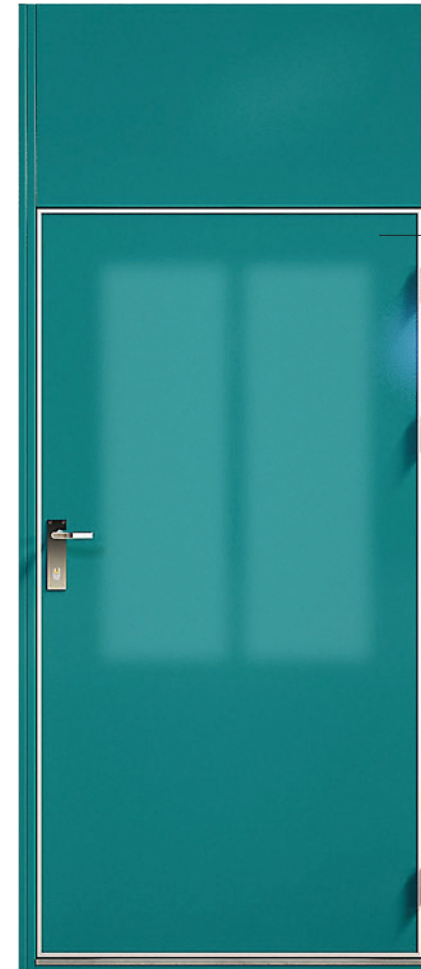
WITH TOPMODULE Art nr: **MV2255M**



FIRE RATED HINGE DOOR.

Light duty door.

FIRE CLASS:	B15
DOOR LEAF:	Made of steel and insulated with mineral wool. Standard is powder coating in RAL 9010.
THICKNESS DOOR LEAF:	38 mm
FRAME:	Steel 1.5 mm
HINGES:	Stainless steel, 3 pcs
STRIKER PLATE:	Stainless steel
SILL COVER:	Stainless steel
MAX CLEAR OPENING:	W 1000 x H 2000 mm
NORSOK DOOR TYPE CODE:	L1/L2



FIRE RATED HINGE DOOR.

Light duty door.

FIRE CLASS:	B15
DOOR LEAF:	Made of steel and insulated with mineral wool. Standard is powder coating in RAL 9010.
THICKNESS DOOR LEAF:	38 mm
FRAME:	Steel 1.5 mm
HINGES:	Stainless steel, 3 pcs
STRIKER PLATE:	Stainless steel
SILL COVER:	Stainless steel
MAX CLEAR OPENING:	W 1000 x H 2000 mm
MAX HEIGHT w TOP MODULE:	H 2476 mm
NORSOK DOOR TYPE CODE:	L1/L2

OPTIONS

- Laminated or pvc coated, stainless steel.
- Kick/trolley plate made in stainless steel. H 300/800 mm.
- Vision panel max W400 x H600 mm.
- Panic device
- Kick-out panel 450 x 450 mm
- Ventilation grill 200 cm²
- Electric access control systems
 - Door open system
 - Hold open system
 - Door sensor



OPTION EXAMPLE
Vision Panel. Kick Out Panel. Ventilation grill.

OPTIONS

- Laminated or pvc coated, stainless steel.
- Kick/trolley plate made in stainless steel. H 300/800 mm.
- Vision panel max W400 x H600 mm.
- Panic device
- Kick-out panel 450 x 450 mm
- Ventilation grill 200 cm²
- Electric access control systems
 - Door open system
 - Hold open system
 - Door sensor



OPTION EXAMPLE
Ventilation grill.

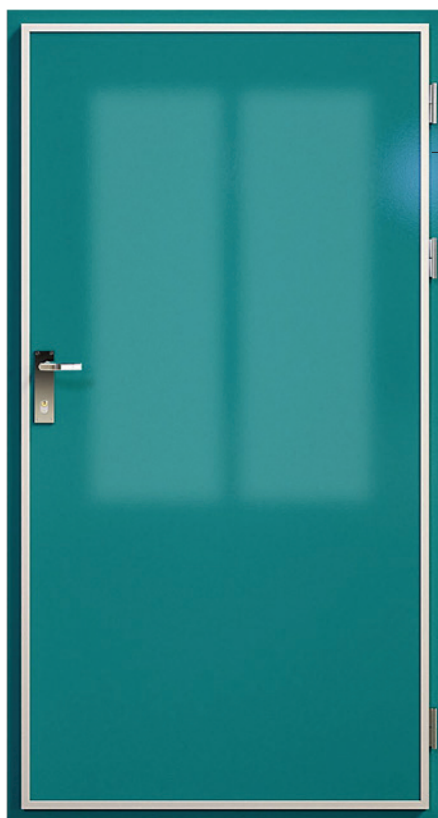
SOUNDREDUCTION DOOR. B30

Art nr: MV2255dB

SOUNDREDUCTION DOOR. B30

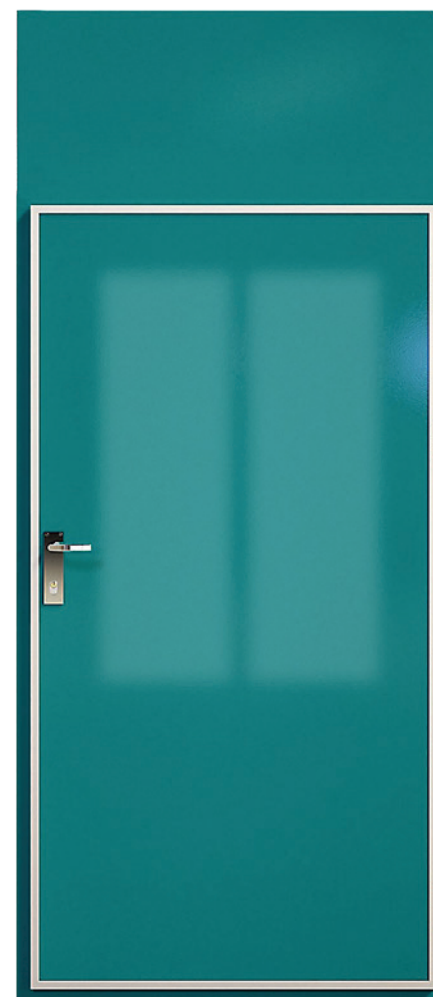
WITH TOPMODULE

Art nr: MV2255dBM



FIRE RATED HINGE SOUND-REDUCTION DOOR. Light duty door.

FIRE CLASS:	B30
SOUND REDUCTION:	44dB
DOOR LEAF:	Made of steel and insulated with mineral wool. Standard is powder coating in RAL 9010.
THICKNESS DOOR LEAF:	53 mm
FRAME:	Steel 1.5 mm
HINGES:	Stainless steel, 3 pcs
STRIKER PLATE:	Stainless steel
SILL COVER:	Stainless steel
MAX CLEAR OPENING:	W 1000 x H 2000 mm
NORSOK DOOR TYPE CODE:	L1/L2



FIRE RATED HINGE SOUND-REDUCTION DOOR. Light duty door.

FIRE CLASS:	B30
SOUND REDUCTION:	44dB
DOOR LEAF:	Made of steel and insulated with mineral wool. Standard is powder coating in RAL 9010.
THICKNESS DOOR LEAF:	53 mm
FRAME:	Steel 1.5 mm
HINGES:	Stainless steel, 3 pcs
STRIKER PLATE:	Stainless steel
SILL COVER:	Stainless steel
MAX CLEAR OPENING:	W 1000 x H 2000 mm
MAX HEIGHT w TOP MODULE:	H 2476 mm
NORSOK DOOR TYPE CODE:	L1/L2

OPTIONS

- Laminated or pvc coated, stainless steel.
- Kick/trolley plate made in stainless steel. H 300/800 mm.
- Panic device
- Kick-out panel
- Electric access control systems
 - Door open system
 - Hold open system
 - Door sensor



OPTION EXAMPLE
Kick Out Panel.

OPTIONS

- Laminated or pvc coated, stainless steel.
- Kick/trolley plate made in stainless steel. H 300/800 mm.
- Panic device
- Kick-out panel (B15)
- Electric access control systems
 - Door open system
 - Hold open system
 - Door sensor



OPTION EXAMPLE
Kick Out Panel.

SINGLE DOOR VENTILATION. B15

Art nr: MV2255V

SINGLE DOOR VENTILATION. B15

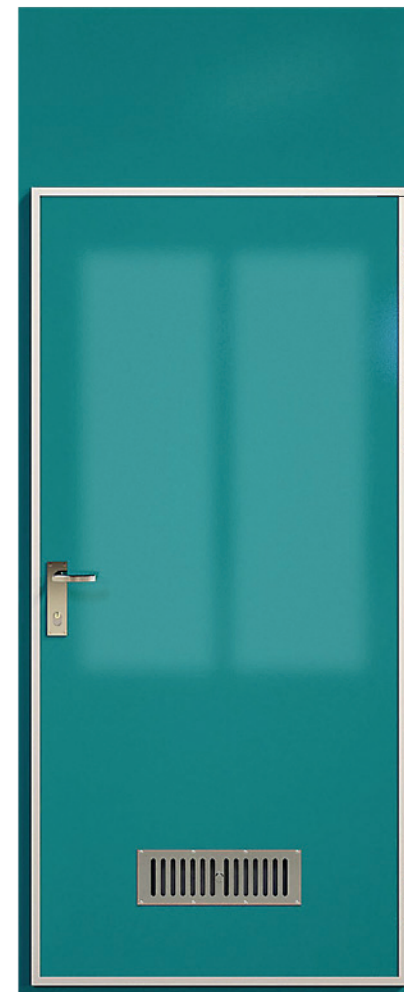
WITH TOPMODULE

Art nr: MV2255VM



FIRE RATED HINGE DOOR. Built-in ventilation channel. Light duty doors.

FIRE CLASS:	B15
SOUND REDUCTION:	37dB
DOOR LEAF:	Made of steel and insulated with mineral wool. Standard is powder coating in RAL 9010.
THICKNESS DOOR LEAF:	56 mm
FRAME:	Steel 1.5 mm
HINGES:	Stainless steel, 3 pcs
STRIKER PLATE:	Stainless steel
SILL COVER:	Stainless steel
VENTILATION DUCT:	130 cm ²
MAX CLEAR OPENING:	W 1000 x H 2100 mm
NORSOK DOOR TYPE CODE:	L1/L2



FIRE RATED HINGE DOOR. Built-in ventilation channel and topmodule.. Light duty door.

FIRE CLASS:	B15
SOUND REDUCTION:	37dB
DOOR LEAF:	Made of steel and insulated with mineral wool. Standard is powder coating in RAL 9010.
THICKNESS DOOR LEAF:	56 mm
FRAME:	Steel 1.5 mm
HINGES:	Stainless steel, 3 pcs
STRIKER PLATE:	Stainless steel
SILL COVER:	Stainless steel
VENTILATION DUCT:	130 cm ²
MAX CLEAR OPENING:	W 1000 x H 2000 mm
MAX HEIGHT w TOP PANEL:	H 2480 mm
NORSOK DOOR TYPE CODE:	L1/L2

OPTIONS

- Laminated or pvc coated, stainless steel.
- Kick/trolley plate made in stainless steel. H 300/800 mm.
- Panic device
- Electric access control systems
 - Door open system
 - Hold open system
 - Door sensor

OPTIONS

- Laminated or pvc coated, stainless steel.
- Kick/trolley plate made in stainless steel. H 300/800 mm.
- Panic device
- Electric access control systems
 - Door open system
 - Hold open system
 - Door sensor



FRAME TYPES. B DOORS

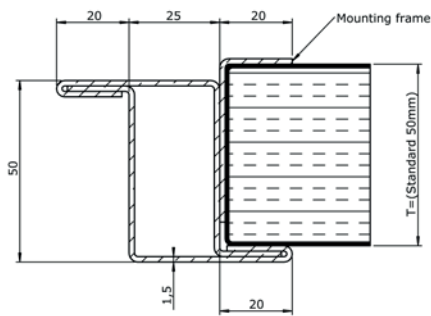
SILL TYPES. B DOORS

T = Wall Thickness

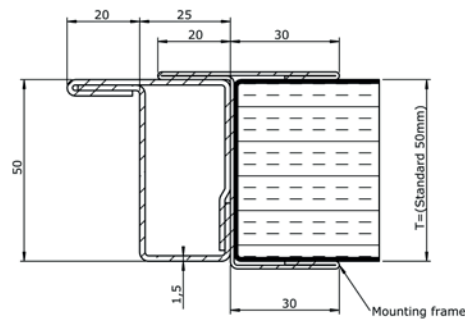
SH = Sill Height
T = Wall Thickness

FRAME TYPES FOR STANDARD WALLS

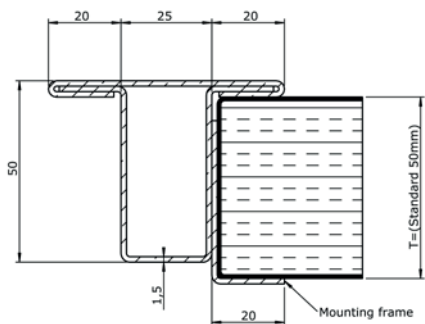
Frame Type Z: F1



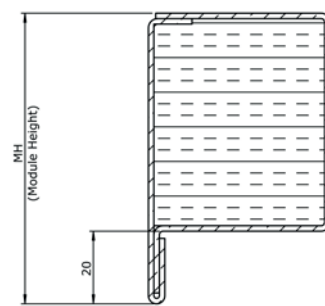
Frame Type L: F2



Frame Type T: F3

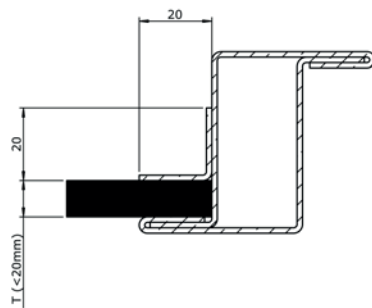


Top module for frames:

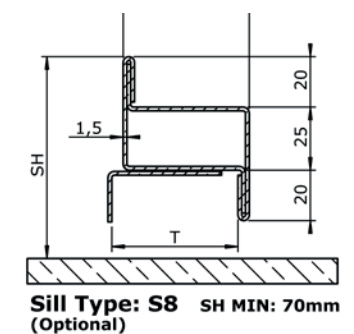
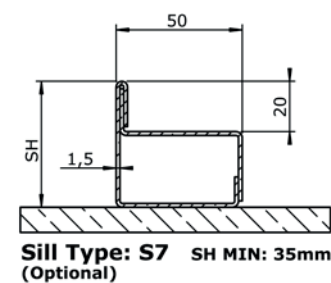
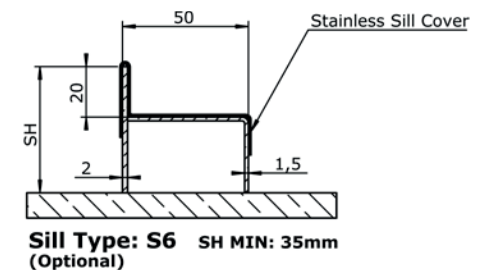
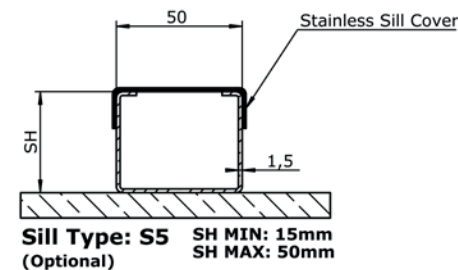
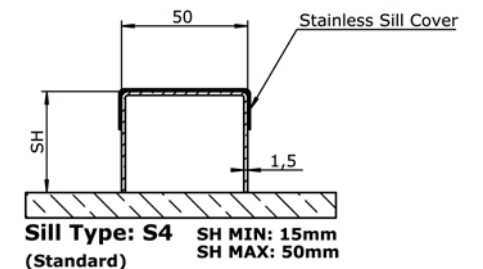
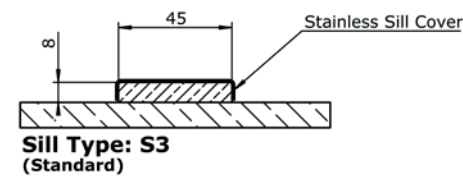
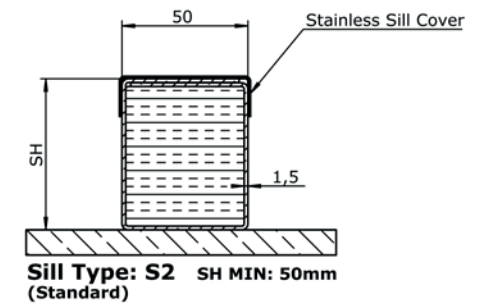
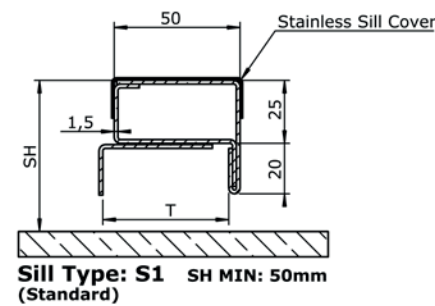
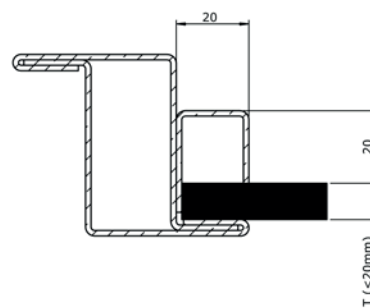


MOUNTING FRAMES FOR THIN WALLS

Mounting frame Type L: M1



Mounting frame Type U: M2

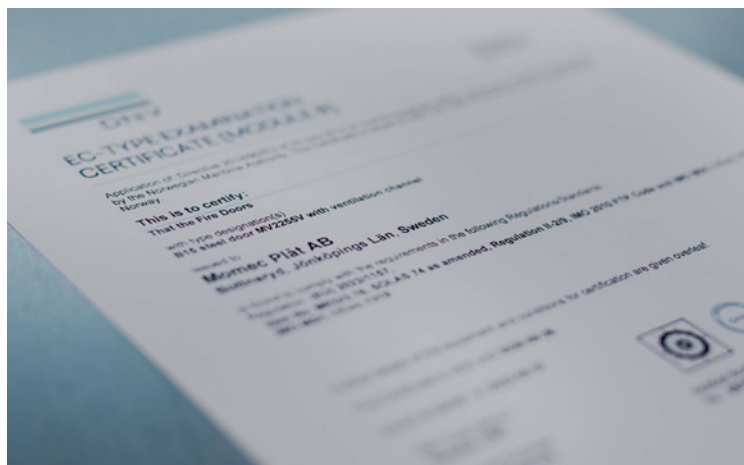




SUSTAINABILITY & QUALITY

The concept of sustainability is in a way relatively new and sometimes a little intangible, as it is portrayed today. But sustainability can also very much be defined as common sense. It is ultimately a question of conserving both your own resources and those of the outside world.

At Momec, we bring with us a strong sustainability mindset from our 72 years in the industry, but we also constantly strive to adapt and improve our production to impact nature as little as possible. When it comes to quality assurance, we have the privilege of operating in an industry where all products are tested and certified for their task.



Momec is certified according to ISO 9001 quality standard. All products that require so are fire-tested and certified to current standards.



THE DOOR IS OPEN AND THE COFFEE IS ON

You are always welcome to contact us. By phone or email of course, but you can also readily visit us. You'll find us on the county line between Småland and Västergötland, just off the R40. A really good location, both logistically and in terms of signage, on the best route between Stockholm and Gothenburg.



Owe Isacsson
CEO

CONTACT PERSONS



Hugo Henriksen
Sales- & Technical Manager
+47 908 83 85 6
hugo.henriksen@momec.no



Joakim Lantz
Sales Manager
+46 733 12 57 70
joakim.lantz@momec.se



Robert Dalman
Sales / Purchases
+46 734 42 55 87
robert.dalman@momec.se



Stefan Persson
Spare Part & Service Manager
+46 734 42 55 89
stefan.persson@momec.se

MOMEC AB

Address: Stråkenvägen 2
SE 556 76 BOTTNARYD
SWEDEN

Telephone: +46 36 30 25 00

Email: post@momec.com



momec.com