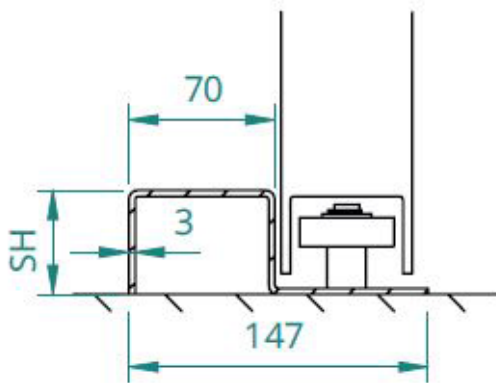
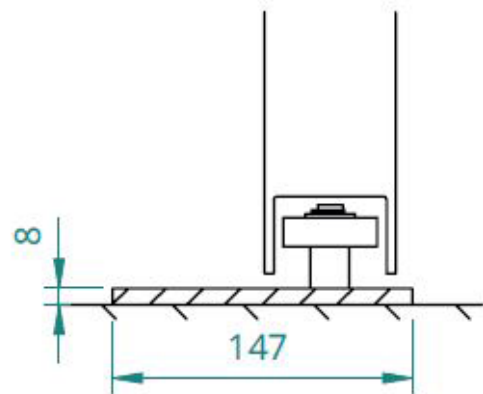


TRÖSKEL TYPER. MVS A60

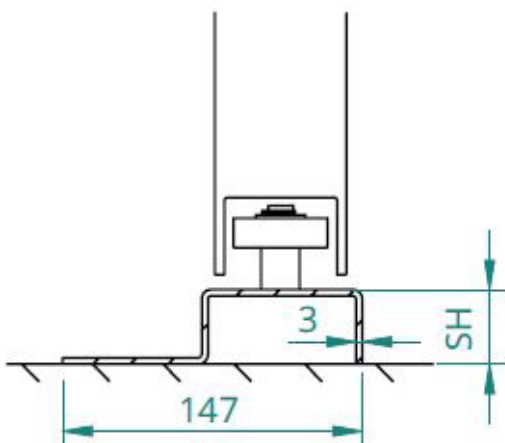
NORMAL SILL
type: S10



FLAT SILL
type: S5



U SHAPED SILL
type: S11



SH = SILL HEIGHT