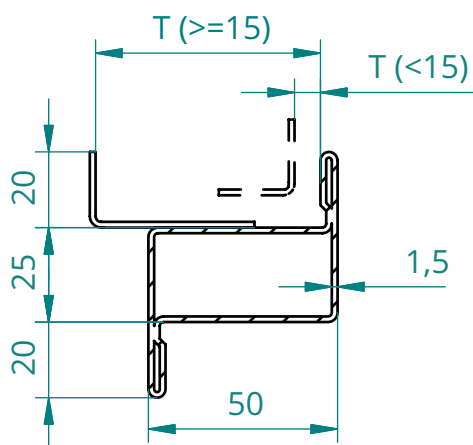


B-15 Frame Types

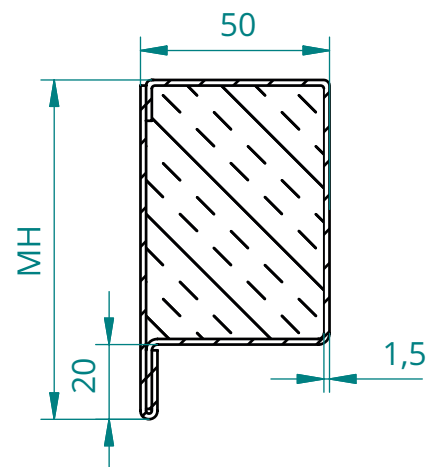
MOMEC

Doors of Sweden

TOPFRAME

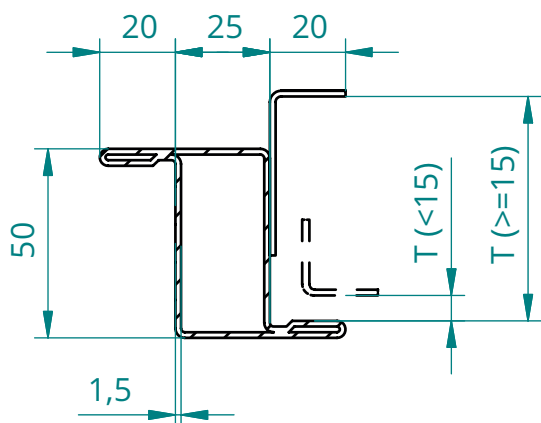


NORMAL TOP FRAME
type: **T1**

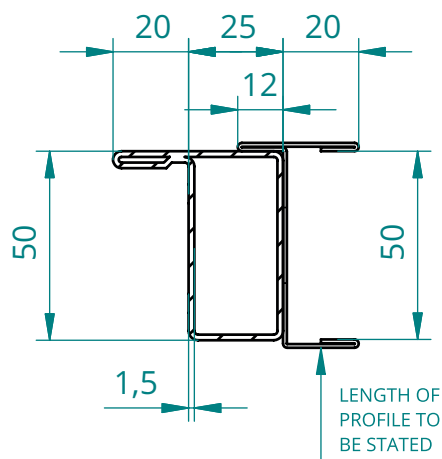


MODULE TOP FRAME
type: **T2**

SIDEFRAME



type: **F1**



type: **F2**

T = WALL THICKNESS

SH = SILL HEIGHT

MH = HEIGHT OF MODULE TOP FRAME

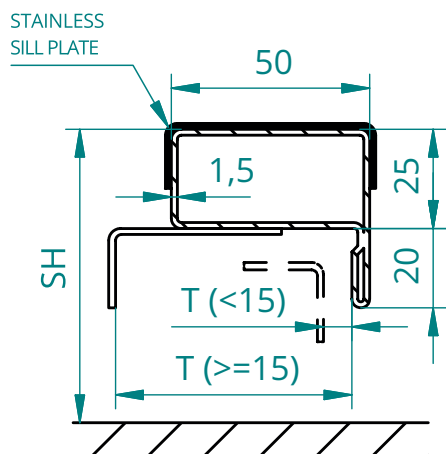
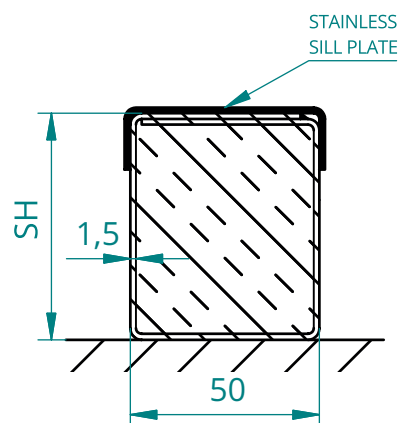
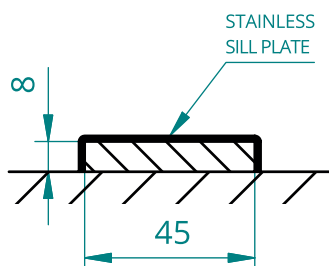
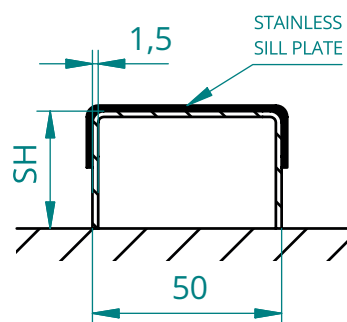
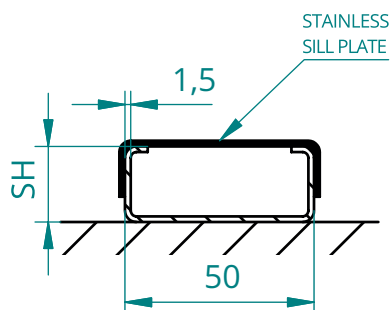
Momec AB

Stråkenvägen 2 • SE-565 76 Bottnaryd • Phone +46 36 203 00
www.momec.com • info@momec.com

B-15 Sill Types

MOMEC

Doors of Sweden

type: **S1**type: **S2**type: **S3**type: **S4**type: **S5**

T = WALL THICKNESS
SH = SILL HEIGHT
MH = HEIGHT OF MODULE TOP FRAME

Momec AB

Stråkenvägen 2 • SE-565 76 Bottnaryd • Phone +46 36 203 00
www.momec.com • info@momec.com